

---

**Introduction**

---

These instructions show how to change the serial address and how to mount the ALPHA 4080C sign.

---

**Changing the serial address**

---

A sign's serial address is a number from 0 to 255. The address is used to identify the sign in a network of signs. All signs leave the factory with a default address of 0.

To change the serial address on this sign follow these steps:



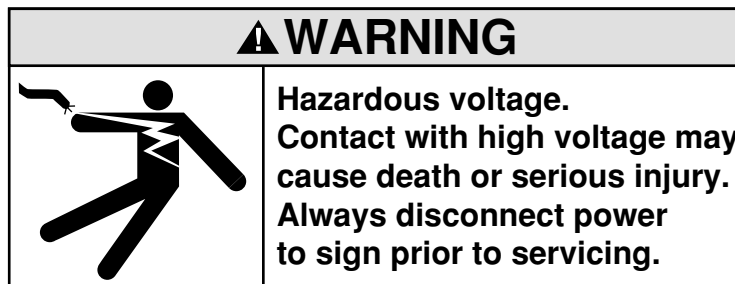
1. Point a hand-held Remote Control (shown at left) at the sign, and press **PROGRAM**.
2. Press **BACK** until *SET SERIAL ADDRESS* (or *SET ADDRESS*) is displayed.
3. Press **ADV** and *SERIAL ADDRESS = 00* (or *ADDRESS = 00*) will appear.
4. Type in the new serial address using the numbered keys on the Remote Control. (A serial address is actually a number from 0 to 255 in *hexadecimal*. Typically, a number from 00 to 99 is used.)
5. Press **RUN** twice to set the new serial address and return the sign to normal operation.

---

**Mounting instructions**

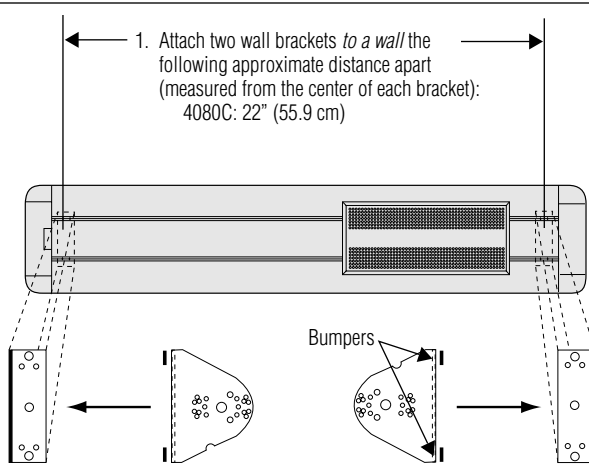
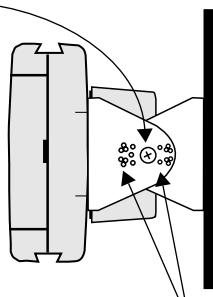
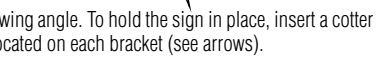
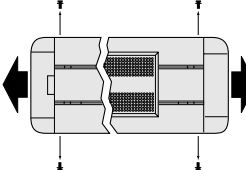
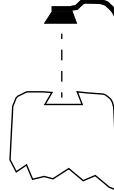
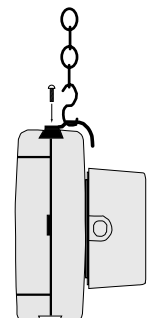
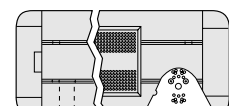
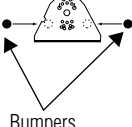
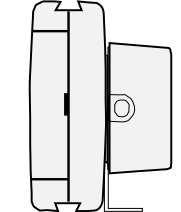
---

Before mounting a sign, remove power from the sign.



**NOTE:** ALPHA signs are for *indoor use only* and should not be continuously exposed to direct sunlight.

**NOTE:** Mounting hardware that is used to hang or suspend a sign must be able of supporting *at least 4 times* the weight of the sign.

Model (weight)	Mounting instructions		
	Wall	Ceiling	Counter
4080C (13 lbs, 5.9 kg)	<p>1. Attach two wall brackets to a wall the following approximate distance apart (measured from the center of each bracket): 4080C: 22" (55.9 cm)</p>  <p>2. Stick two rubber "bumpers" to the bottom of each sign bracket. The bumpers should end up <i>between</i> the sign bracket and the sign. Then use four screws to attach each sign bracket to the sign.</p> <p>3. Connect the sign brackets to the wall brackets using the two large bolts supplied.</p>  <p>4. Tilt the sign to select a viewing angle. To hold the sign in place, insert a cotter pin into the small holes located on each bracket (see arrows).</p>  <p><b>NOTE:</b> Do NOT install the sign directly to drywall or plasterboard. The sign must be fastened to a wall capable of supporting at least 52 pounds (23.6 kg).</p> <p><b>NOTE:</b> Keep a minimum 1.0-inch (2.54 cm) clearance on all sides of the sign for adequate ventilation.</p>	<p>1. Remove the end cap from each side of the sign by unscrewing the two screws that hold each end cap to the sign.</p>  <p>2. Insert a mounting bracket (shown below) into the "rail" on each side of the sign.</p>  <p>3. Slide the mounting brackets to the desired locations. Then use the supplied screws to fasten each mounting bracket to the sign. Use a chain (not supplied) to hang the sign from a ceiling.</p>  <p><b>NOTE:</b> Choose a chain and mounting system capable of supporting a minimum of 52 pounds (23.6 kg).</p> <p><b>NOTE:</b> Keep a minimum 1.0-inch (2.54 cm) clearance on all sides of the sign for adequate ventilation.</p>	<p>1. Stick two rubber "bumpers" on each mounting bracket. The bumpers should end up <i>between</i> the bracket and the sign.</p>  <p>2. Attach each mounting bracket to the sign using two screws (supplied) per bracket.</p>  <p>3. Either rest the sign on the mounting brackets or fasten the brackets to the counter.</p>  <p><b>NOTE:</b> Keep a minimum 1.0-inch (2.54 cm) clearance on all sides of the sign for adequate ventilation.</p>