

AlphaEclipse™ Excite™ 23mm Series Outdoor LED Display



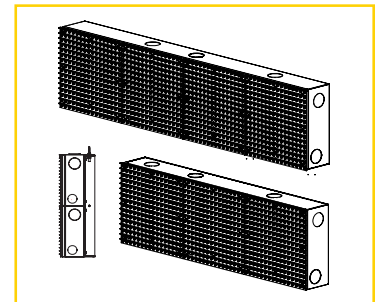
excite™ 23mm Series

The AlphaEclipse Excite 23mm series is designed to provide the ultimate outdoor advertising experience. High-resolution video impact adds excitement to your business, and provides the latest technology that will meet your needs now and into the future. Excite designs are all digital. Don't even consider investing in old analog VGA processing or VGA converter systems like our competitor's use. Excite's advanced architecture provides lightning fast DVI connectivity, pure image transmissions without analog loss, and huge file display processing.

Digital Design - All DVI digital connectivity, and reliability – throughout our entire design. PureColor™ LED processing wows your targeted viewing audience without color or image loss. Standard Embedded PC design enables powerful control; fast downloads of huge files, and industry standard Ethernet connectivity.

Maintenance Free - All weather Protector™ sealed case design eliminates vents, filters and environmental contaminants. No more corrosion issues or concerns associated with rain, dust, and salt fog. To provide another level of protection, sensitive internal electronics are conformal coated.

- Video board or marquee message center – Two different standard product offerings
- Flexible – Many modular sizes from 2' x 4' to 14' x 48' billboard dimensions
- Powerful – Visible from 85' to over 1500', high resolution fits any main street or highway need
- Efficient – Energy Smart LED technology that is affordable, reliable and energy efficient
- Profitable – No other out-of-home medium provides a faster ROI through increased sales & profits



Standard Features

- All digital design with industry standard DVI architecture
- Embedded PC with Ethernet connectivity
- Alphamation graphic library – hundreds of animations
- Video display processing 60fps
- Message marquee 20fps display processing
- Ooh!Media™ software
- Peace-of-Mind 5-year factory parts warranty
- Wired, wireless Ethernet, DSL or cable modem control
- Digital PureColor™ processing - 16.7 million colors

AlphaEclipse™ Excite™ 23mm Series Specifications*

Rows	Columns	Height (ft.)	Width (ft.)	6.3" Characters Per Line**	Character Height**	Weight (lbs.)	Max 115VAC Input Current (Amps)	# Of Circuit Breakers Needed @ 115VAC
16	96	1.2	7.2	2/16	4.5"-14.5"	90	6	1
16	112	1.2	8.5	2/18	4.5"-14.5"	105	7	1
16	128	1.2	9.7	2/21	4.5"-14.5"	120	8	1
32	96	2.4	7.2	4/16	4.5"-28.9"	180	12	1
32	112	2.4	8.5	4/18	4.5"-28.9"	210	14	1
32	128	2.4	9.7	4/21	4.5"-28.9"	240	15	1
48	96	3.6	7.2	6/16	4.5"-43.4"	270	18	1
48	112	3.6	8.5	6/18	4.5"-43.4"	315	20	1
48	128	3.6	9.7	6/21	4.5"-43.4"	360	23	1
64	128	4.8	9.7	8/21	4.5"-57.9"	480	31	2
64	144	4.8	10.9	8/24	4.5"-57.9"	540	39	2
64	160	4.8	12.1	8/26	4.5"-57.9"	600	39	2
80	128	6.0	9.7	10/21	4.5"-72.4"	600	38	2
80	144	6.0	10.9	10/24	4.5"-72.4"	675	48	3
80	160	6.0	12.1	10/26	4.5"-72.4"	750	48	3
96	128	7.2	9.7	12/21	4.5"-86.8"	720	46	3
96	144	7.2	10.9	12/24	4.5"-86.8"	810	58	3
96	160	7.2	12.1	12/26	4.5"-86.8"	900	58	3
192	640	14.5	48.3	24/106	4.5"-173.7"	7200	249 (230VAC ONLY)	Consult Dealer

Adaptive® manufactures three series types; **Excite marquee message centers** with 20 fps performance, **Excite Video boards** offering high speed video performance at 60 fps, and a custom configured **Excite "Ticker type"** product. All series offer digital PureColor™ processing, high brightness, and wide viewing angles to produce a dynamic, visual impact like no other digital signage product available today.

LED Pixel:	23mm/.90 inch pitch, 14mm diameter, 1Red/1Green/1Blue LED	Dimming Feature:	10 automatic levels
LED Color:	PureColor™ 8-bit, 16.7 million colors	Video Frame Rate:	Message marquee version: 20fps Excite Video version: 60fps
Digital Display Matrix Size:	Min. 16 x 64 / Max. 192 x 640 (for marquee center or video board)	Special Features:	<ul style="list-style-type: none"> -Industry standard 1000MB compact flash memory for message storage -External temperature probe (optional) -Marquee and Video models have DVI monitor capability -Protector™ case – sealed enclosure design eliminates external contamination by rain, salt fog or dust and reflects solar radiation. -Automatic thermal protection for all electronics -One thermostatically controlled fan per module for internal air mixing.
Digital Display Case Dimensions:	Min. 1' 2" x 4' 8" / Max. 14' 4" x 48'-9.75" deep (including 3" steel mounting angle)	Filtering Maintenance:	Not required, no external vents, case is sealed
Digital "Ticker Type" Matrix Size:	Min. 16 x 64 / Max. 48 x 928, special PC software required*	Operating Temperature:	-40° to 122° F / -40° to 50° C
Digital Ticker Case Dimensions:	Min. 1' 2" x 4' 8" / Max. 3' 6" x 69' 6"-9.75" deep (including 3" steel mounting angle)	Limited Warranty:	Five-year limited factory depot warranty. Third party supplied devices such as modems, wireless devices, carry a warranty respective of the supplier. See Adaptive Terms & Conditions for complete warranty details.
Viewability & Intensity:	140° horizontal/60° vertical, 6500 nits minimum	Agency Approvals:	FCC Part 15, Class A, ANSI/UL 60950-1 CAN/CSA C22.2 No. 60950-1-03 C-ETL-US listing mark and CE Marking
Viewing Distance:	Min. 84ft., Max. to +1500ft. (1" of character height=40ft. of viewing distance)	Agency Approvals:	FCC Part 15, Class A,
Power/Module:	100 watts maximum per module (16 x 16 display driver)		
Controller:	Embedded PC, DVI link to the sign monitor		
Connectivity to Controller:	Wired or wireless Ethernet, and DSL modem (phone company requirement)		
Service Access:	Front access door opens to enable access to all internal components. Display drivers (16 x 16) are removable without opening the front access door		
Case Material:	UL50 type 3R, IP44 aluminum cabinet		
Mounting:	Steel mounting angle for welding, bolting to third party superstructure		
Size & Weight per Module:	14.4" x 14.4", ~15lbs. per 16 x 16 display driver		

NOTE: Many more sizes are available, up to 14.5' x 48.3' (192 rows x 640 columns).

Approximate dimensions, power and weight – call your Adaptive dealer for architectural/engineering drawings before beginning your project design. *Due to continuing product innovations, all specifications are subject to change without notice. **Based upon standard Adaptive character font. Character height choices also include many sizes of standard Windows® fonts. ***Ticker will display RSS web data, not event driven data.